

The logo for Limpsfield is an oval shape with a red top half and a blue bottom half, separated by a white border. The word "Limpsfield" is written in white, bold, sans-serif font across the center.

Limpsfield

The background of the advertisement is a close-up, top-down view of a gas burner assembly. It features a central circular burner head surrounded by a ring of small, rectangular ports. The entire assembly is set within a larger circular frame with radial slots. The lighting is dramatic, with a strong blue and purple glow emanating from the center, creating a sense of depth and highlighting the metallic textures.

THE PACKAGE SOLUTION
LP BURNER SERIES

www.limpsfield.co.uk



LP Burner Series

The Limpsfield LP burner series are characterised by a monoblock structure that means all necessary components can be combined into a single unit, making installation and set-up easier and faster, whilst maintaining highly efficient combustion.

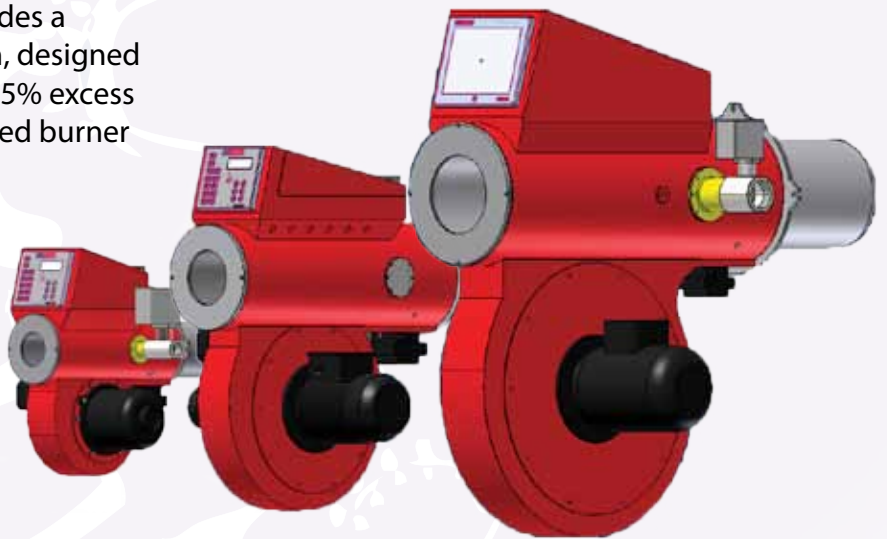
The series covers a firing range from 220kW (0.75Mbtu) through to 2051kW (7Mbtu), and have been designed for use on hot water boilers or industrial steam generators. All burners are available as single or dual fuel, whether it be natural gas or light fuel oil.

The combustion adjustment is fully modulating, through the use of an Autoflame electronic module which is prewired onto the burner. The combination of high precision servo motors and fuel valves, gives the user total control of the air/fuel ratio. Employing a sophisticated PID philosophy, the burners firing rate is modulated to satisfy plant demand. Regardless of your load requirements the system can be set up to respond quickly and effectively.

The LP burner series includes a built-in combustion air fan, designed and calculated to deliver 15% excess combustion air at a specified burner output.



Limpsfield 220kW Dual fuel burner



As with all Limpsfield burner's efficiency is key, therefore we guarantee that the burner will operate at 3% O₂ and <10ppm CO throughout the complete firing range, from low to high fire. Add to this a high turndown of 4:1 on gas, and 3:1 on oil, the LP series can therefore supply demanded power, high efficiency, low emissions, reduction in fuel consumption and reliability for a cost effective price tag, with a typical payback of less than 2 years.

We guarantee to supply the highest performance and technical solution to any combustion and control application.

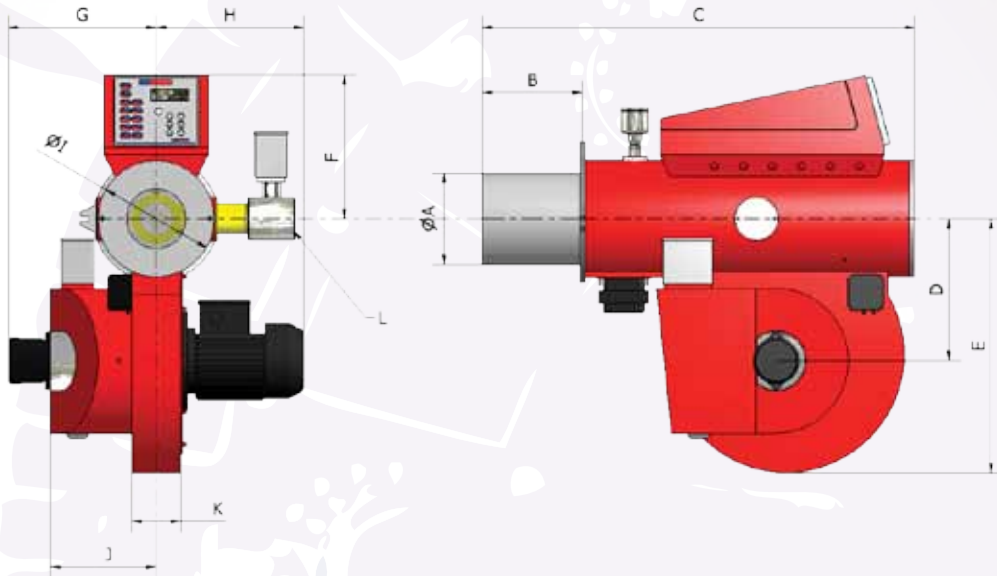


LP Burner Series

Features and benefits

- High efficiency
- Low emissions
- Compact monoblock design
- Burner mounted Autoflame Mini Mk7 or Mk7 (LP3) control pod
- High precision servo motors, with control accuracy of 0.1 degrees
- Large viewing port , giving a unique view of the combustion
- Designed, built and tested in a fully certificated ISO9001 environment

Technical Data



	LP1/220	LP1/440	LP2/586	LP2/880	LP3/1465	LP3/2051
All dimension in mm and (inches) unless stated otherwise						
Burner Rating (Mbtu)	0.75	1.5	2	3	5	7
Burner Rating (kW)	220	440	586	880	1465	2051
A	116 (4.57)	138 (5.43)	182 (7.17)	182 (7.17)	254 (10)	254 (10)
B	160 (6.3)	160 (6.3)	200 (7.87)	200 (7.87)	348 (13.7)	348 (13.7)
C	595 (23.43)	595 (23.43)	865 (34.05)	865 (34.05)	1253 (49.33)	1253 (49.33)
D	172 (6.77)	172 (6.77)	248 (9.76)	248 (9.76)	446 (17.56)	446 (17.56)
E	312 (12.28)	312 (12.28)	508 (20)	508 (20)	793 (31.22)	793 (31.22)
F Mini Mk7	250 (9.84)	250 (9.84)	287 (11.3)	287 (11.3)	353 (13.90)	353 (13.90)
Mk7	n/a	n/a	n/a	n/a	430 (16.93)	430 (16.93)
G	n/a	n/a	296 (11.65)	296 (11.65)	440 (17.32)	440 (17.32)
H	226 (8.90)	226 (8.90)	296 (11.65)	296 (11.65)	395 (15.55)	395 (15.55)
I	175 (6.90)	175 (6.90)	233 (9.17)	233 (9.17)	333 (13.11)	333 (13.11)
J	170 (6.69)	170 (6.69)	211 (8.31)	211 (8.31)	331 (13.03)	331 (13.03)
K	98 (3.86)	98 (3.86)	98 (3.86)	98 (3.86)	144 (5.67)	144 (5.67)
L	25mm (1")	40mm (1.5")	50mm (2")	50mm (2")	65mm (2.5")	65mm (2.5")

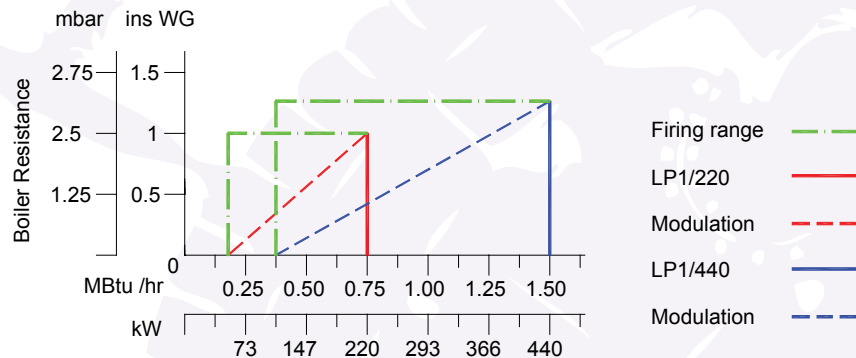


LP Burner Series

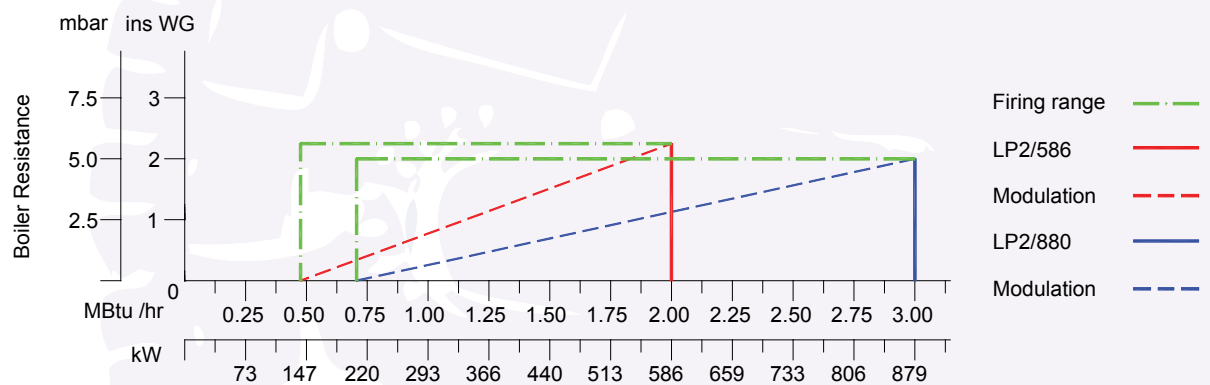
Burner performance data

The technical information detailed in the graphical representations are for guidance purposes only. Final performance criteria can only be confirmed upon receipt of all relevant technical data from the specific site that the combustion equipment is to be installed on. *We are here to help, please contact us for any further information required.*

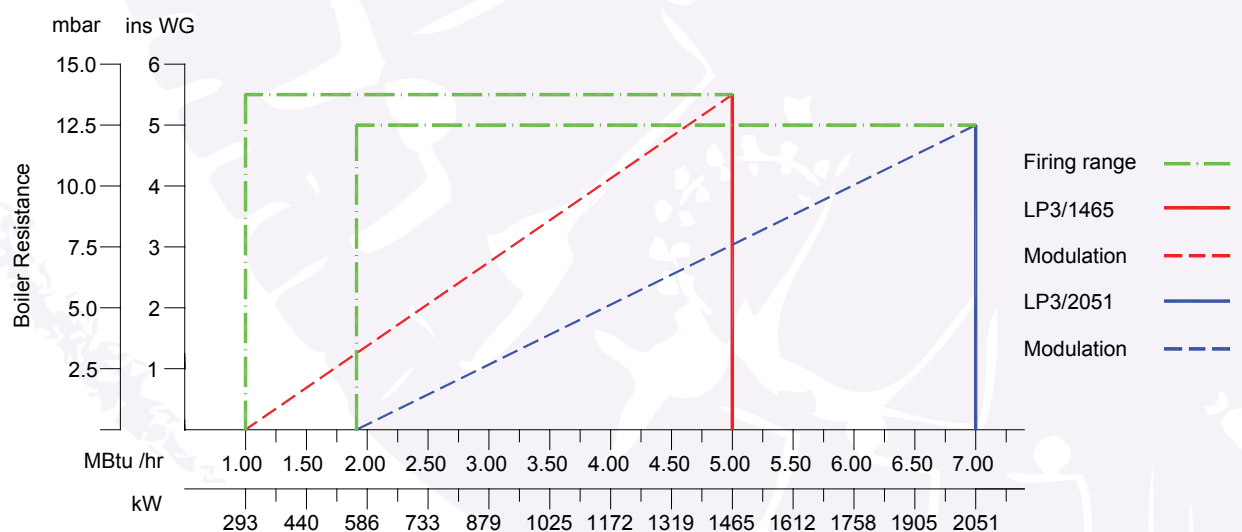
LP1 - 220 to 440 kW (0.75 - 1.5 MBtu)



LP2 - 586 to 880 kW (2 - 3 MBtu)



LP3 - 1465 to 2051 kW (5 - 7 MBtu)



Note: All graphs shown are for Natural gas firing.