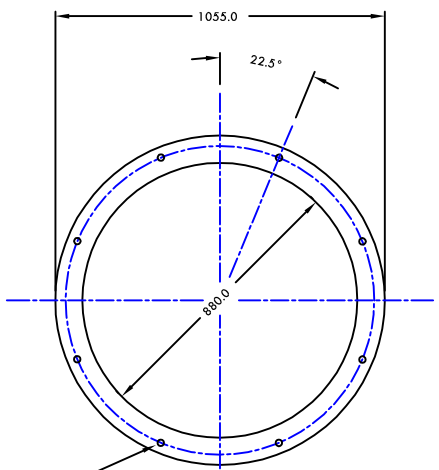


8" 150lb GAS VALVE WITH A 8" WELD NECK FLANGE SUPPLIED

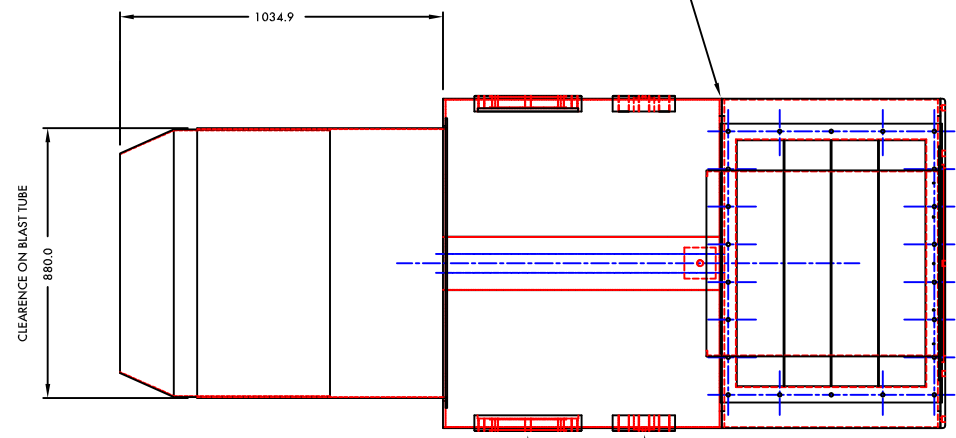
SIGHT GLASS

BOILER MOUNTING DETAILS



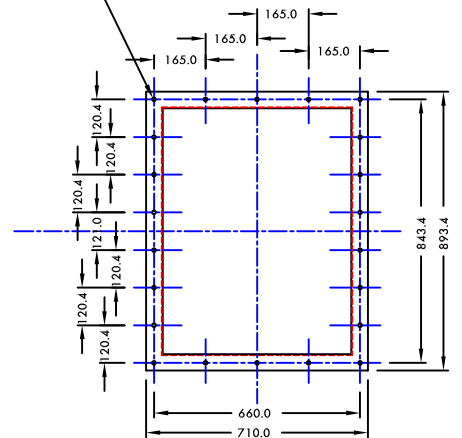
8 OFF \square 21mm MOUNTING HOLES
ON A \square 998.5mm P.C.D.

ROTATIONAL FLANGE:
ENABLES BACK SECTION INCLUDING AIR INLET
TO BE ROTATED THROUGH 360° IN 22.5° STEPS.

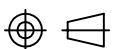


NOTE: GAS AND OIL CONNECTIONS CAN ENTER FROM EITHER SIDE.

22 OFF \square 12mm HOLES.



ISSUE	DATE	AUTH.	AMD.No
1	11:11:02	N.P.G.	

SPECIAL NOTES:
 THIRD ANGLE
IF IN DOUBT ASK

DRAWING TITLE
**LC310
GENERAL ASSEMBLY.**

CLIENT/SITE- RECORD DRAWING		
SCALE- 1:6(A0)	DATE- 11:11:02	JOB NO-
DRAWN- N.P.G.	CHECKED-	DRAWING NO- W310001/8