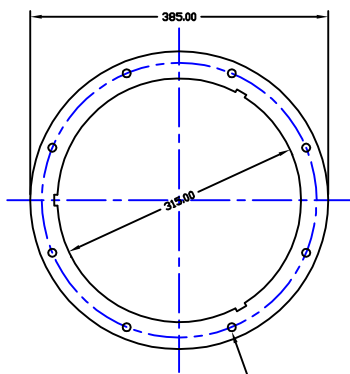
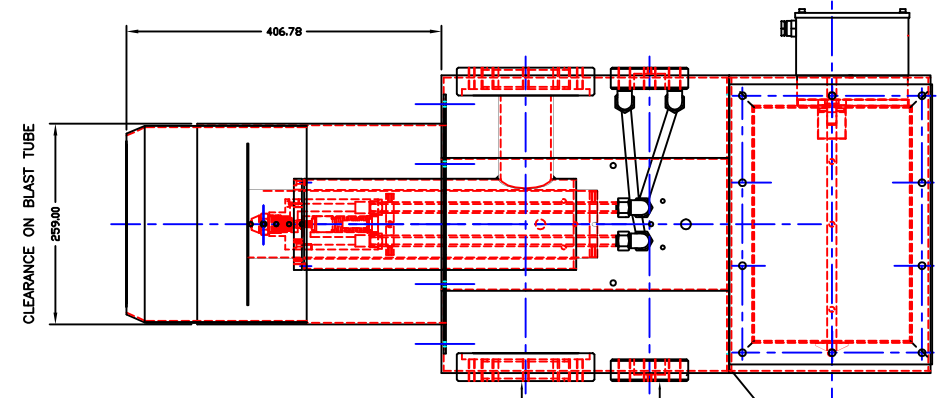


BURNER TO BOILER FIXING DETAILS



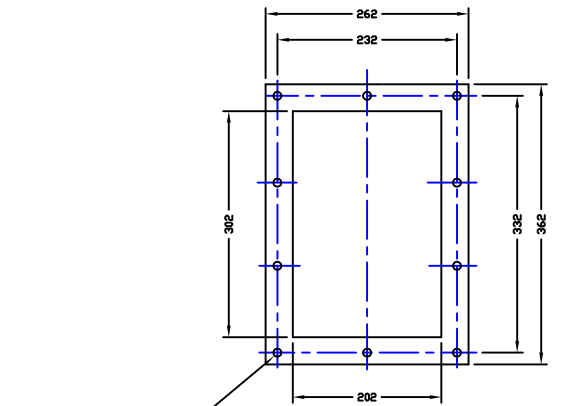
8 X Ø10.5mm HOLES ON PCD=355
 ALTERNATIVELY M10 STUDS CAN BE
 THREADED TO BOILER FRONT PLATE



CLEARANCE ON BLAST TUBE
 259.00


NOTE GAS AND OIL ENTRY CAN BE EITHER LEFT OR RIGHT HAND SIDE

FLANGED JOINT
 ENABLES SELECTION OF AIR INLET
 THROUGH 22.5° ROTATIONAL STEPS



10 X Ø10.5 HOLES

FLANGE FIXING DETAILS

QUANTITY	ISSUE	DATE	AUTH.	ISSUE	DATE	AUTH.	SPECIAL NOTES:	DRAWING TITLE	CLIENT/SITE -		
	1	29:08:00	N.P.G.	5	07:11:01	N.P.G.	 THIRD ANGLE IF IN DOUBT ASK	GENERAL ASSEMBLY BURNER TYPE LCNO 21	RECORD DRAWING		
	2	26:02:01	N.P.G.	6	16:07:02	N.P.G.			SCALE - N.T.S.	DATE - 29:08:00	JOB NO.-
	3	25:07:01	N.P.G.	7	27:10:06	N.P.G.			DRAWN -	CHECKED - R.A.	DRG NO.- LC21GA1
	4	05:11:01	N.P.G.								